



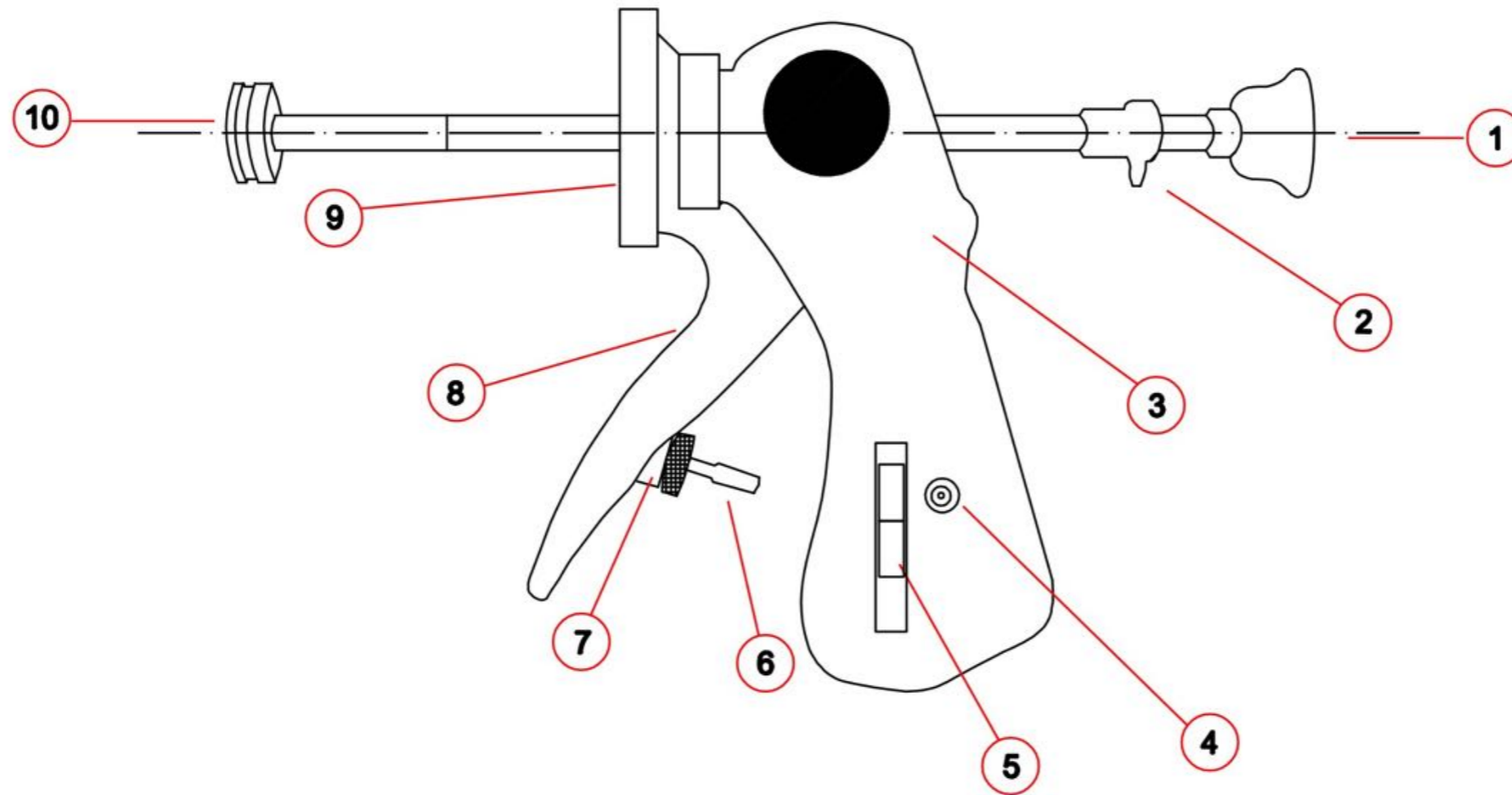
Veterinary Production Sector

ASTRO S.r.l. | P.I. 00141590356 | Via Manzotti, 11 42122 Roncadella (RE) ITALIA
Tel. (+39) 0522 340190 | Fax. (+39) 0522 345102

E-Mail: info@astrosrl.org | Pec: astro@pec-mail.it | www.astrosrl.org

Cap. Soc. € 85.000 | R.E.A. di RE n° 104135 | Iscr. Reg. Imp. di RE n° 104135

Cartridge Dispenser Modello A - B - C Tarato



COMPONENTS

- | | |
|-------------------------------|-----------------------|
| 1 - Piston knob | 8 - Handle |
| 2 - Piston release knob | 9 - Cartridge adapter |
| 3 - Syringe body | 10 - Piston |
| 4 - Dosage display | |
| 5 - Regulator | |
| 6 - Calibration screw | |
| 7 - Calibration screw locking | |

Cartridge Dispenser Modello A - B - C Tarato



[Cod. 0550.A] Modello A

[Cod. 0550.B] Modello B

[Cod. 0550.C] Modello C

COMPONENTS



[Cod. EA0029] A [Cod. EA0021] B-C - Bar



[Cod. 110006] - Fixed handle lower part



[Cod. 110007] - Fixed handle upper part

Cartridge Dispenser Modello A - B - C Tarato



[Cod. IX0023] - Rear handle tab



[Cod. IL0002] - Advance lever



[Cod. IX0021] - Dose block



[Cod. EG0026] - Fixing ring nut screw calibration setting doses

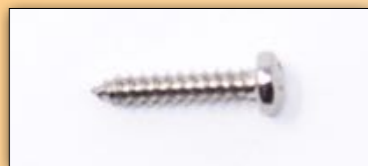


[Cod. EX0026] A-B-C [Cod. EX0096] UKAL - Adjustment pin



[Cod. IX0020] - Release bush for no-return rod

Cartridge Dispenser Modello A - B - C Tarato



[Cod. EX0062] - Handle fixing screw



[Cod. EX0059] - Feed plate



[Cod. EX0060] - Rod no-return plate



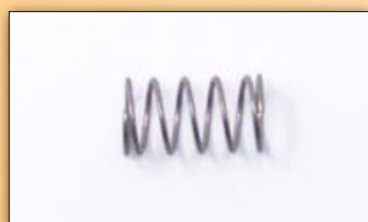
[Cod. IG0046] A [Cod. IG0047] B [Cod. IG0045] C - Coupling ring



[Cod. EM0020] - Spring for dose block supplied with Cod. EX0097



[Cod. EX0097] - Push nail



[Cod. EM0015] - Spring for safety

Cartridge Dispenser Modello A - B - C Tarato



[Cod. IPOM0006] - Knob



[Cod. EM0016] - Lever return spring



[Cod. IX0024] - Side cap handle



[Cod. IX0034] - Screw cover cap

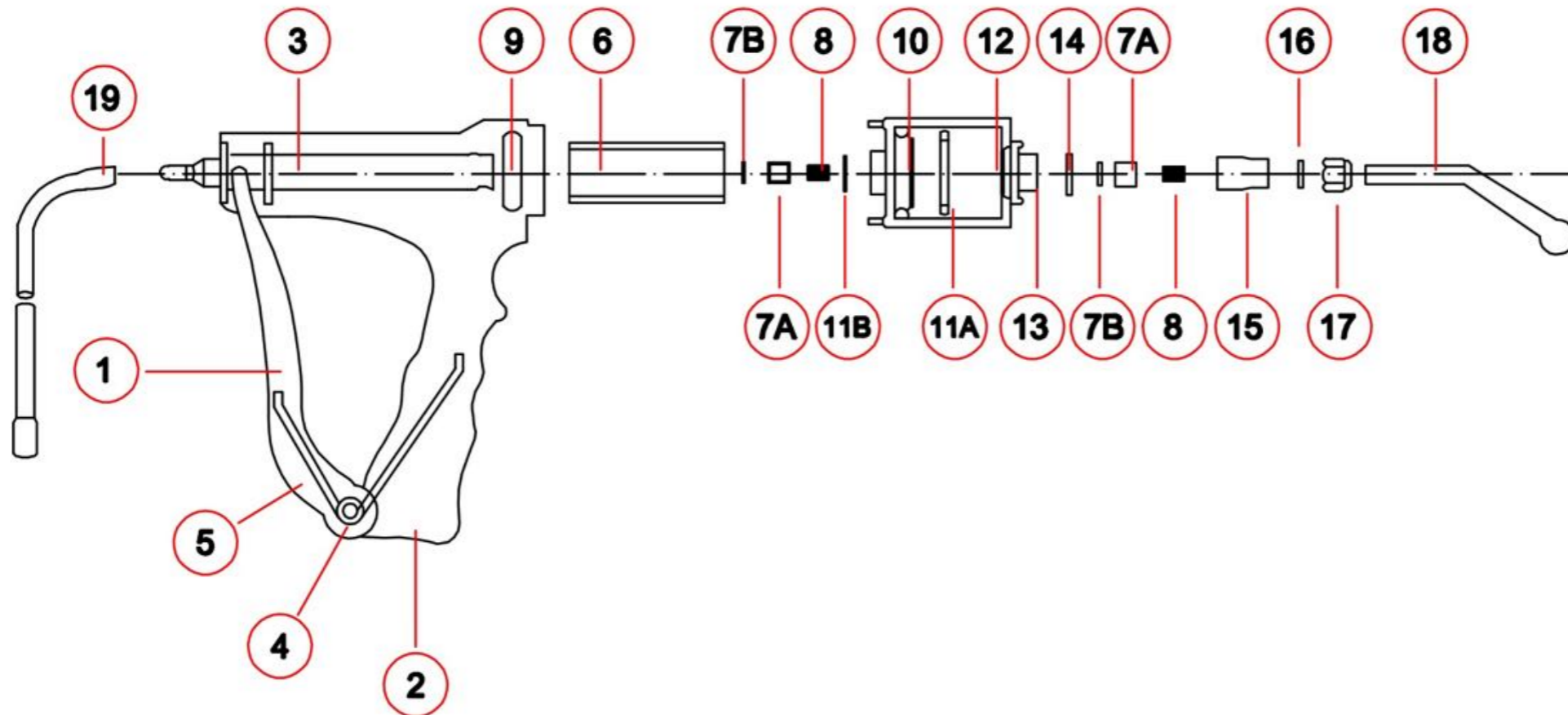


[Cod. EX0061] - Block fixing screw



[Cod. IP0004] A B [Cod. IP0003] C - Piston

Drenching Gun 15 ml - 30 ml - 60 ml - 200 ml



COMPONENTS

- | | | |
|--------------------|---------------------|----------------------|
| 1 - Pushing handle | 7B - Valve seal* | 13 - Barrel insert |
| 2 - Body | 8 - Valve spring* | 14 - Barrel o'ring |
| 3 - Piston rod | 9 - Dose adjuster | 15 - Valve nozzle |
| 4 - Handle pivot | 10 - Piston | 16 - Cannula o'ring |
| 5 - Handle spring | 11A - Piston washer | 17 - Cannula locking |
| 6 - Dosing screw | 11B - Piston o'ring | 18 - Cannula |
| 7A - Valve* | 12 - Barrel | 19 - Feeding tube* |

ACCESSORIES

- Needle adaptor
- Spare parts kit
- Short drench nozzle cm. 12
- Long drench nozzle cm. 20
- Oil bottle 5 ml.
- Container (3 litri) with straps
- Bottle (1 litro) with belt
- Big valve spring

* Only in the automatic models

Drenching Gun 15 ml - 30 ml - 60 ml - 200 ml



[Cod. 052715] - 15 ml

[Cod. 052730] - 30 ml

[Cod. 052760] - 60 ml

[Cod. 0527] - 200 ml

COMPONENTS



[Cod. IL0006] - Mobile lever



[Cod. AL125] 15 ml - 30 ml [Cod. AL200] 60 ml - 200 ml - Product output cannula

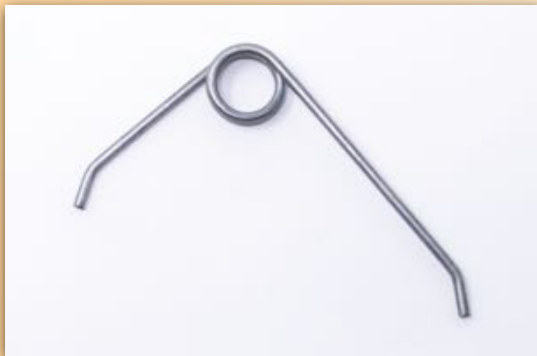
Drenching Gun 15 ml - 30 ml - 60 ml - 200 ml



[Cod. IX0015] 15 ml - 30 ml [Cod. IX0114] 60 ml - 200 ml - Piston rod



[Cod. II0016] 5 ml - 30 ml [Cod. II0017] 60 ml - 200 ml - Dispenser handle



[Cod. EM0017] 15 ml - 30 ml [Cod. EM0011] 60 ml - 200 ml - Piston return spring



[Cod. EX0065] 15 ml -30 ml [Cod. EX 0596] 60 ml - 200 ml - Dosing tube

Drenching Gun 15 ml - 30 ml - 60 ml - 200 ml



[Cod. IC0070] 15 ml [Cod. IC0047] 30 ml - Dosing cylinder
[Cod. IC0048] 60 ml [Cod. IC0049] 200 ml - Dosing cylinder



[Cod. EX0012] - Oil bottle



[Cod. ICA0007] 15 ml - 30 ml - 60 ml [Cod. ICA0004] 200 ml - Sleeve



[Cod. IX0118] - Lever pin

Drenching Gun 15 ml - 30 ml - 60 ml - 200 ml



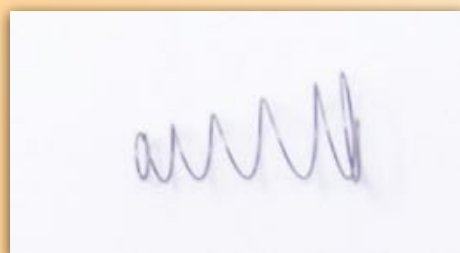
[Cod. IG0059] - Dose adjustment ring



[Cod. EX0031] - Pin retainer seeger



[Cod. EG0036] 15 ml [Cod. EG0022] 30 ml - 60 ml - Cannula holder ring



[Cod. EM0012 / EM0036] 15 ml / 30 ml / 60 ml - Valve spring



[Cod. IX0035] 15ml / 30 ml / 60 ml - Valve cylinder

Drenching Gun 15 ml - 30 ml - 60 ml - 200 ml



[Cod. EOR0074] 15 ml / 30 ml / 60 ml - Cylinder seal



[Cod. EOR0026] 15 ml / 30 ml / 60 ml - Valve cylinder seal



[Cod. EOR0016] 15 ml [Cod. EOR0007] 30 ml - Piston seal
[Cod. EOR0027] 60 ml [Cod. EOR0036] 200 ml - Piston seal



[Cod. IP0032] 15ml [Cod. IP0020] 30ml - Piston
[Cod. IP0021] 60ml [Cod. IP0019] 200 ml - Piston



[Cod. EOR0018] 15 ml / 30 ml / 60 ml - Stem seal

Infusion Kit



[Cod. 0519 / 0519S] - Infusion kit

COMPONENTS



[Cod. EX0004] - Product passage pipe for Cod. 0519

[Cod. EX0111] - Product passage pipe in silicone for Cod. 0519S

Infusion Kit



[Cod. EX0003] - Little pump



[Cod. ECR0007] - Upper rubber fitting

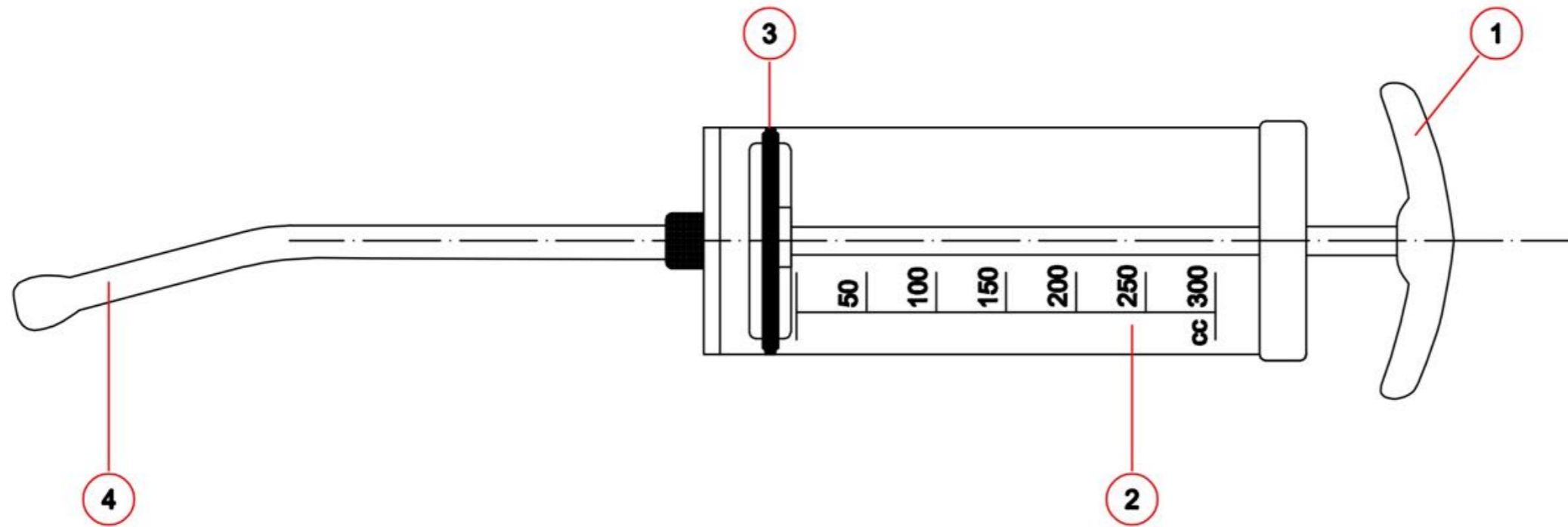


[Cod. ECR0008] - Luer lock cone



[Cod. ECR0003] - Cone bushing

Maxi Drencher 300 ml



COMPONENTS

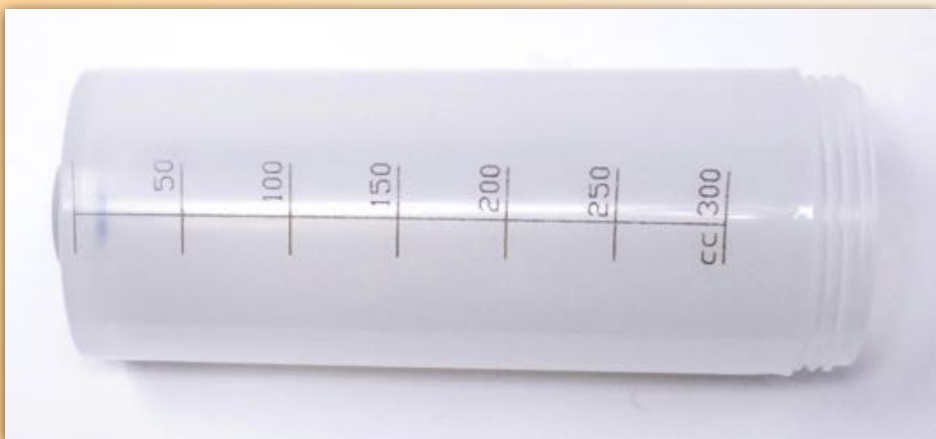
- 1 - Knob shaft
- 2 - Cylinder
- 3 - Piston seal
- 4 - Nut cannula

Maxi Drencher 300 ml



[Cod. 0526] - 300 ml

COMPONENTS



[Cod. IC0083] - Cylinder

Maxi Drencher 300 ml



[Cod. AL200] - Nut cannula

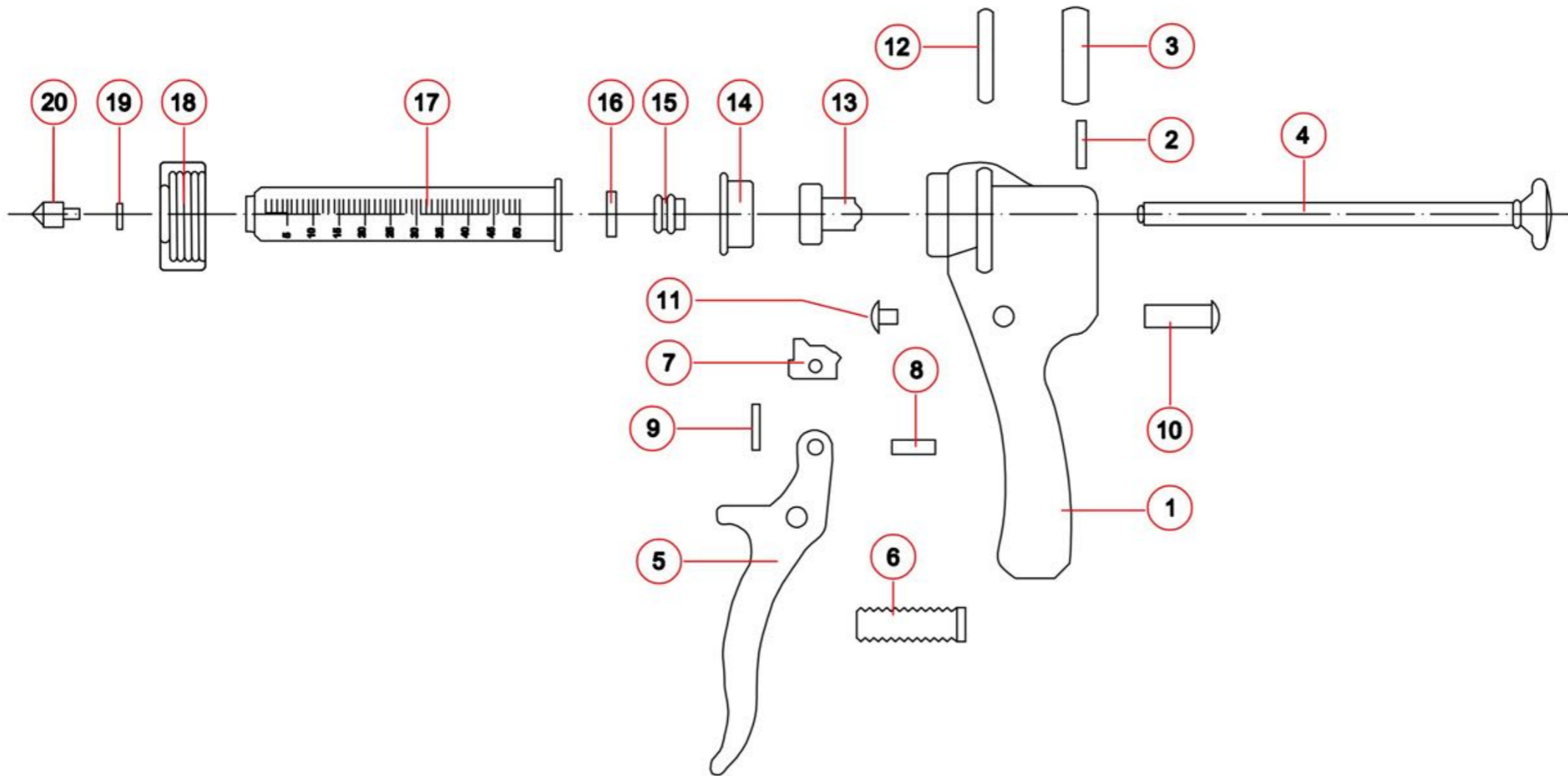


[Cod. 0526GRU] - Rod, knob, dial



[Cod. EOR0001] - Piston seal

Revolver 10ml - 25ml - 50ml



COMPONENTS

- | | | |
|-----------------------|-------------------------|--------------------|
| 1 - Handle | 8 - Trigger pivot | 15 - Piston |
| 2 - Guillotine spring | 9 - Trigger spring | 16 - Piston o'ring |
| 3 - Guillotine | 10 - Lever pivot | 17 - Cylinder |
| 4 - Piston rod | 11 - Lever pivot cap | 18 - Cylinder lock |
| 5 - Lever | 12 - Dosing wheel | 19 - Cone o'ring |
| 6 - Lever spring | 13 - Dosing ring | 20 - Cone |
| 7 - Trigger | 14 - Dosing ring holder | |

Revolver 10ml - 25ml - 50ml



[Cod. 0529.1] - 10 ml

[Cod. 0529.2] - 25 ml

[Cod. 0529.3] - 50 ml

COMPONENTS



[Cod. IL0007] - Lever



[Cod. IL0018] - Handle

Revolver 10ml - 25ml - 50ml



[Cod. IC0057] 10 ml [Cod. IC0058] 25 ml [Cod. IC0059] 50 ml - Cylinder



[Cod. IX0073] - Piston rod



[Cod. IG0066] - Dosing ring holder



[Cod. IG0067] - Dosing ring



[Cod. IX0078] - Tampon

Revolver 10ml - 25ml - 50ml



- [Cod. IP0024] 10 ml - Piston
- [Cod. IP0025] 25 ml - Piston
- [Cod. IP0026] 50 ml - Piston



- [Cod. EOR0057] 10 ml - Piston seal
- [Cod. EOR0055] 25 ml - Piston seal
- [Cod. EOR0016] 50 ml - Piston seal



- [Cod. IG0068] 10 ml - Cylinder fixing ring nut
- [Cod. IG0069] 25 ml - Cylinder fixing ring nut
- [Cod. IG0070] 50 ml - Cylinder fixing ring nut



- [Cod. ECR0018] - Single piece cone complete with EOR0011

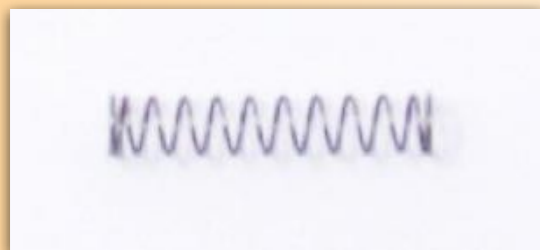
Revolver 10ml - 25ml - 50ml



[Cod. IX0077] - Cap



[Cod. IX0072] - Guillotine



[Cod. EM0038 / EM0039] - Spring



[Cod. EOR0011] - Cylinder seal



[Cod. II0076] - Lever pivot

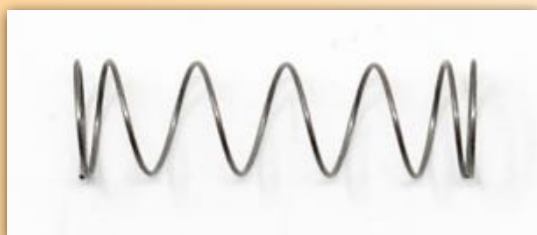
Revolver 10ml - 25ml - 50ml



[Cod. EM0030] - Spring



[Cod. IX0106] - Trigger

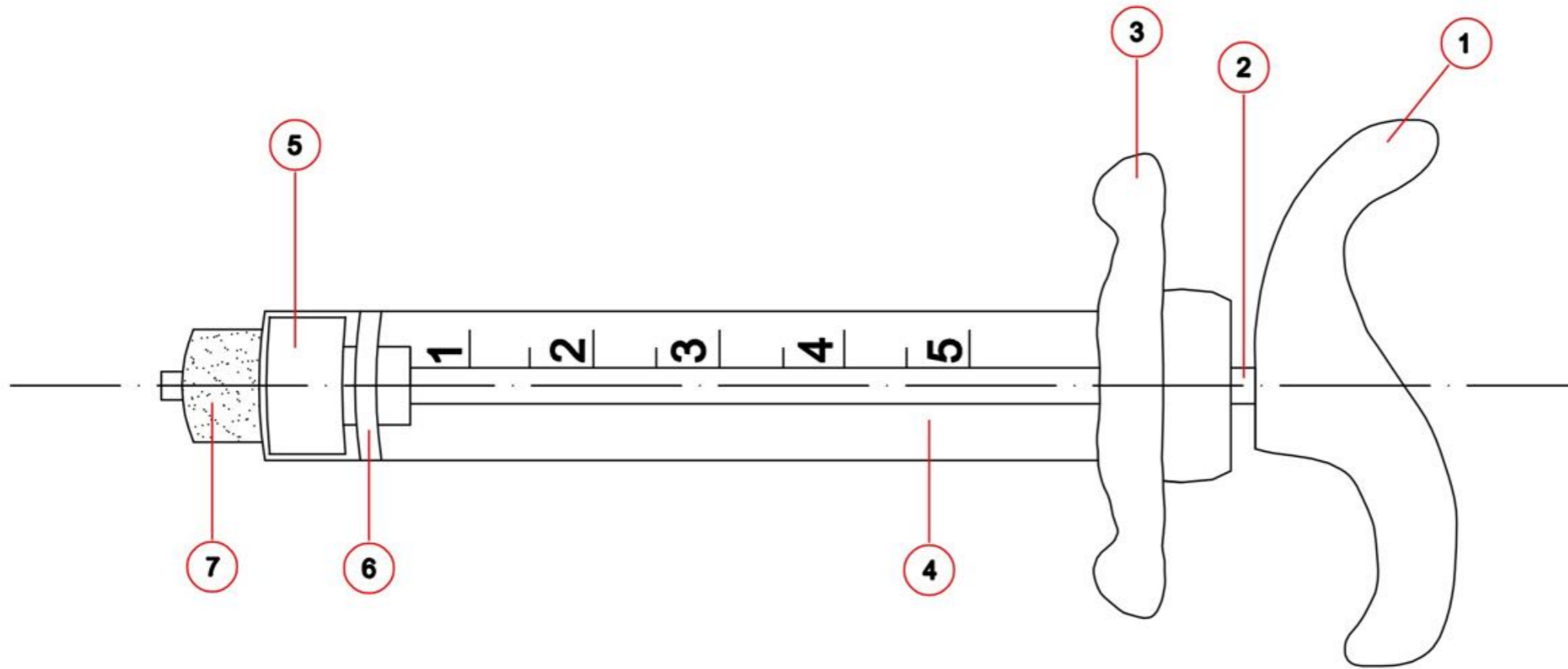


[Cod. EM0003] - Spring



[Cod. IX0075] - Trigger pivot

Europlast syringe 5 ml



COMPONENTS

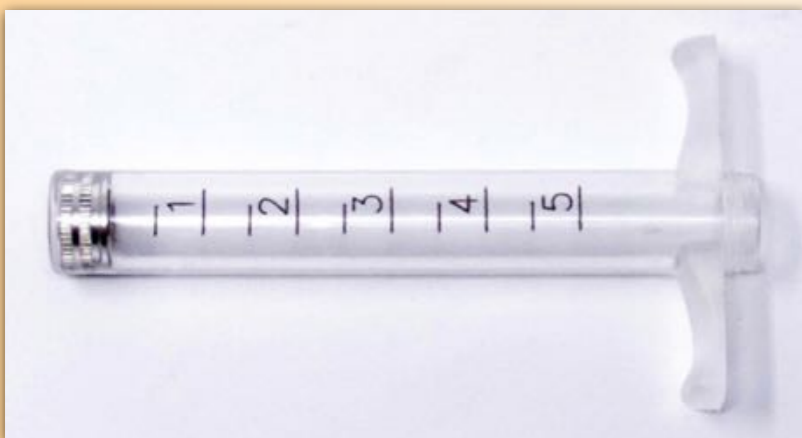
- 1 - Knob
- 2 - Rod
- 3 - Handle
- 4 - Cylinder
- 5 - Piston
- 6 - O'ring
- 7 - Metal cone

Europlast syringe 5 ml



[Cod. 0516E05]

COMPONENTS



[Cod. IC0077] - Cylinder



[Cod. EA0002] - Rod

Euoplast syringe 5 ml



[Cod. IPOM0004] - Knob



[Cod. EP0001] - Piston



[Cod. EOR0061] - Seal



[Cod. IG0012] - Ring



[Cod. ECR0016 2 pezzi / Cod. ECR0018 pezzo unico / Cod. ECR0021 GEWIND] - Cone

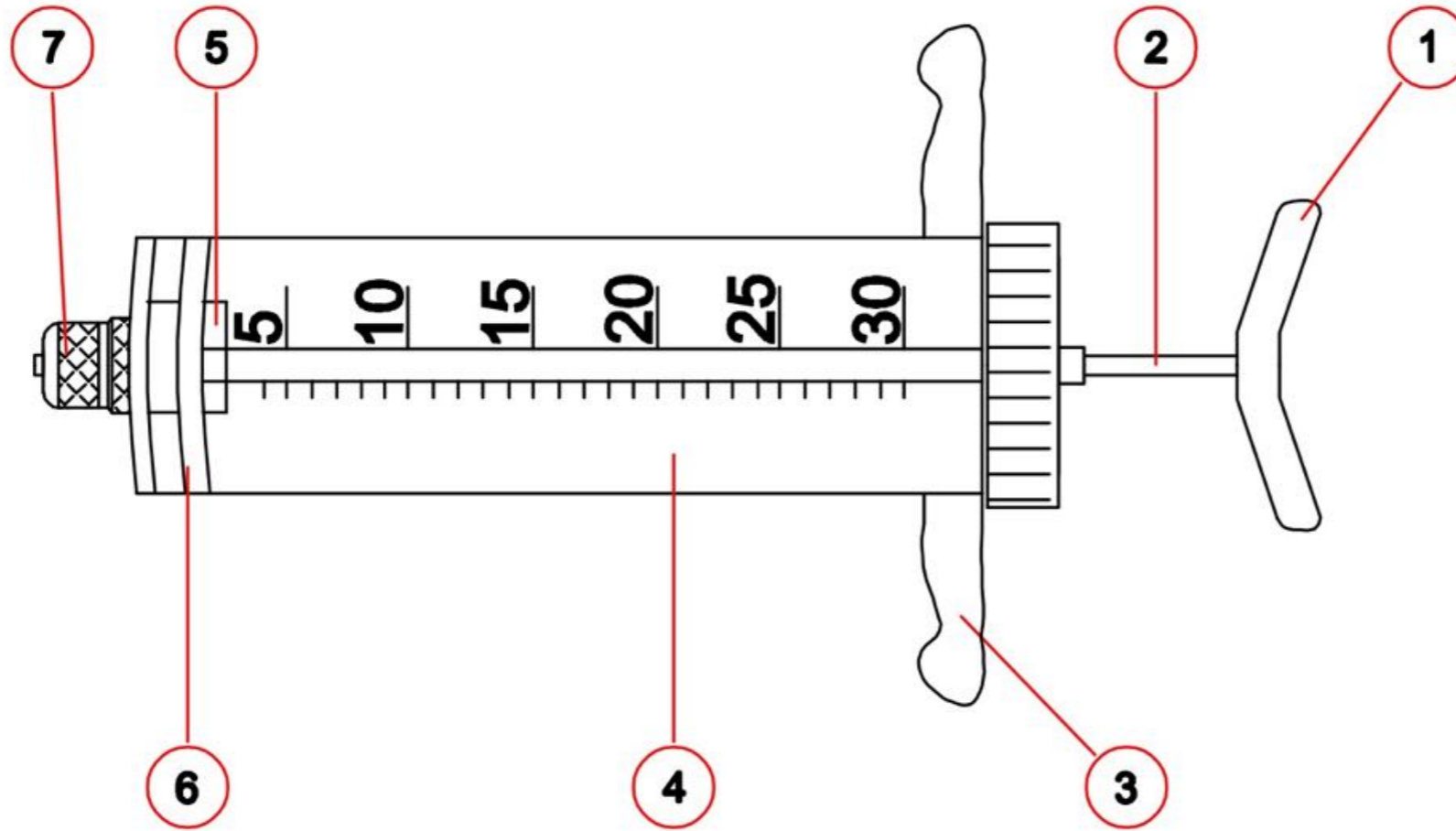


[Cod. EOR0011 per Cod. ECR0016 / Cod. ECR0018] - Seal



[Cod. EOR0030 per GEWIND] - Seal

Metal syringe 10 ml - 20 ml - 30 ml - 50 ml - 100 ml



COMPONENTS

- 1 - Knob
- 2 - Rod
- 3 - Handle
- 4 - Cylinder
- 5 - Piston
- 6 - O'ring
- 7 - Metal cone

Metal syringe 10 ml - 20 ml - 30 ml - 50 ml - 100 ml



- [Cod. 051610] 10 ml
- [Cod. 051620] 20 ml
- [Cod. 051630] 30 ml
- [Cod. 051650] 50 ml
- [Cod. 0516100] 100 ml

COMPONENTS



[Cod. EA0009] - Rod



- [Cod. IC0078] 10 ml - Cylinder
- [Cod. IC0079] 20 ml - Cylinder
- [Cod. IC0080] 30 ml - Cylinder
- [Cod. IC0081] 50 ml - Cylinder
- [Cod. IC0082] 100 ml - Cylinder

Metal syringe 10 ml - 20 ml - 30 ml - 50 ml - 100 ml



- [Cod. EP0002 - 10 ml] - Piston
- [Cod. EP0003 - 20 ml] - Piston
- [Cod. EP0004 - 30 ml] - Piston
- [Cod. EP0005 - 50 ml] - Piston
- [Cod. EP0013 - 100 ml] - Piston



- [Cod. EOR0002 - 10 ml] - Seal
- [Cod. EOR0005 - 20 ml] - Seal
- [Cod. EOR0016 - 30 ml] - Seal
- [Cod. EOR0007 - 50 ml] - Seal
- [Cod. EOR0017 - 100 ml] - Seal



- [Cod. EG0014 - 10 ml] - Ring
- [Cod. EG0015 - 20 ml] - Ring
- [Cod. EG0016 - 30 ml] - Ring
- [Cod. EG0017 - 50 ml] - Ring
- [Cod. EG0038 - 100 ml] - Ring



- [Cod. EX0360] - Knob

Metal syringe 10 ml - 20 ml - 30 ml - 50 ml - 100 ml



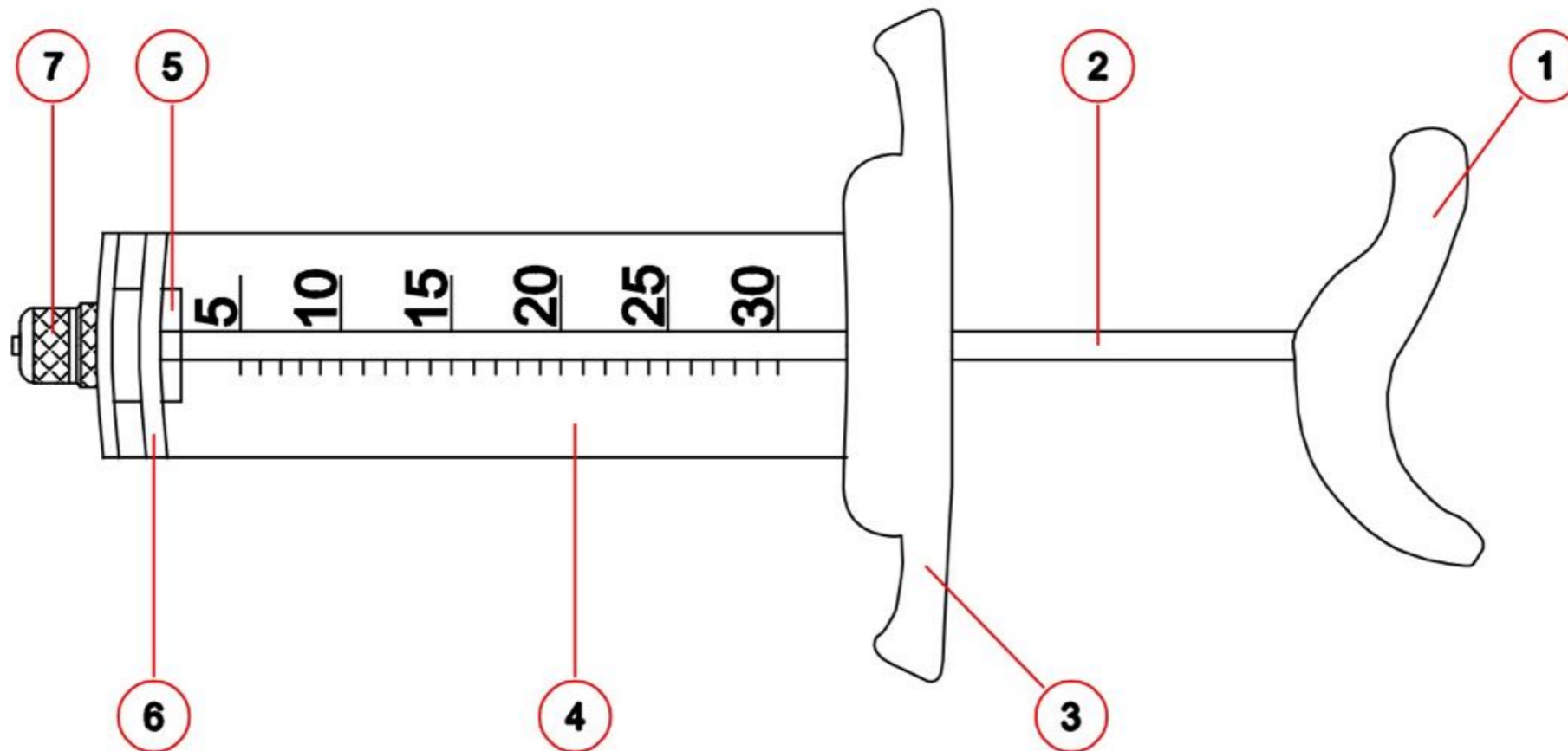
[Cod. ECR0016] - Cone 2 pieces



[Cod. ECR0003] - Bushing



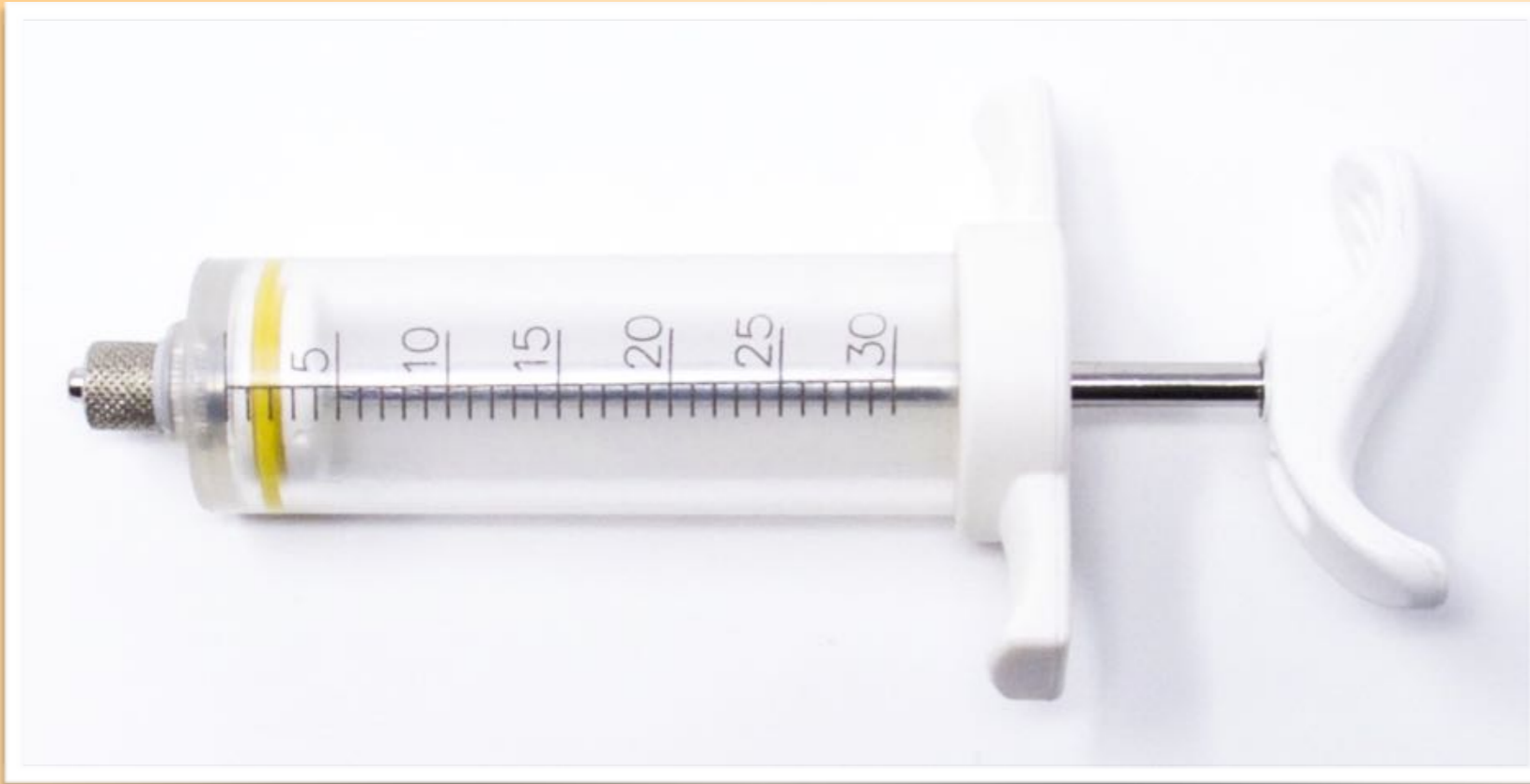
[Cod. EOR0011] - Seal



COMPONENTS

- 1 - Knob
- 2 - Rod
- 3 - Handle
- 4 - Cylinder
- 5 - Piston
- 6 - O'ring
- 7 - Metal cone

Plexy syringe 10 ml - 20 ml - 30 ml - 50 ml - 100 ml



- [Cod. 0505] 10 ml
- [Cod. 0511] 20 ml
- [Cod. 0512] 30 ml
- [Cod. 0513] 50 ml
- [Cod. 0514] 100 ml

COMPONENTS



- [Cod. 081010] 10 ml [Cod. 081020] 20 ml [Cod. 081030] 30 ml - Rod and piston
- [Cod. 081050] 50 ml [Cod. 0810100] 100 ml - Rod and piston



- [Cod. IC0072] 10 ml [Cod. IC0073] 20 ml [Cod. IC0074] 30 ml - Cylinder
- [Cod. IC0075] 50 ml [Cod. IC0076] 100 ml - Cylinder

Plexy syringe 10 ml - 20 ml - 30 ml - 50 ml - 100 ml



[Cod. EOR0002] 10 ml [Cod. EOR0005] 20 ml [Cod. EOR00016] 30 ml - Piston seal
[Cod. EOR0007] 50 ml [Cod. EOR0017] 100 ml - Piston seal



[Cod. IG0014] 10 ml [Cod. IG0024] 20 ml [Cod. IG0010] 30 ml - Seal
[Cod. IG0011] 50 ml [Cod. IG0018] 100 ml - Seal



[Cod. IPOM0004] - Knob



[Cod. ECR0018] - Single piece cone



[Cod. EOR0011] - Seal

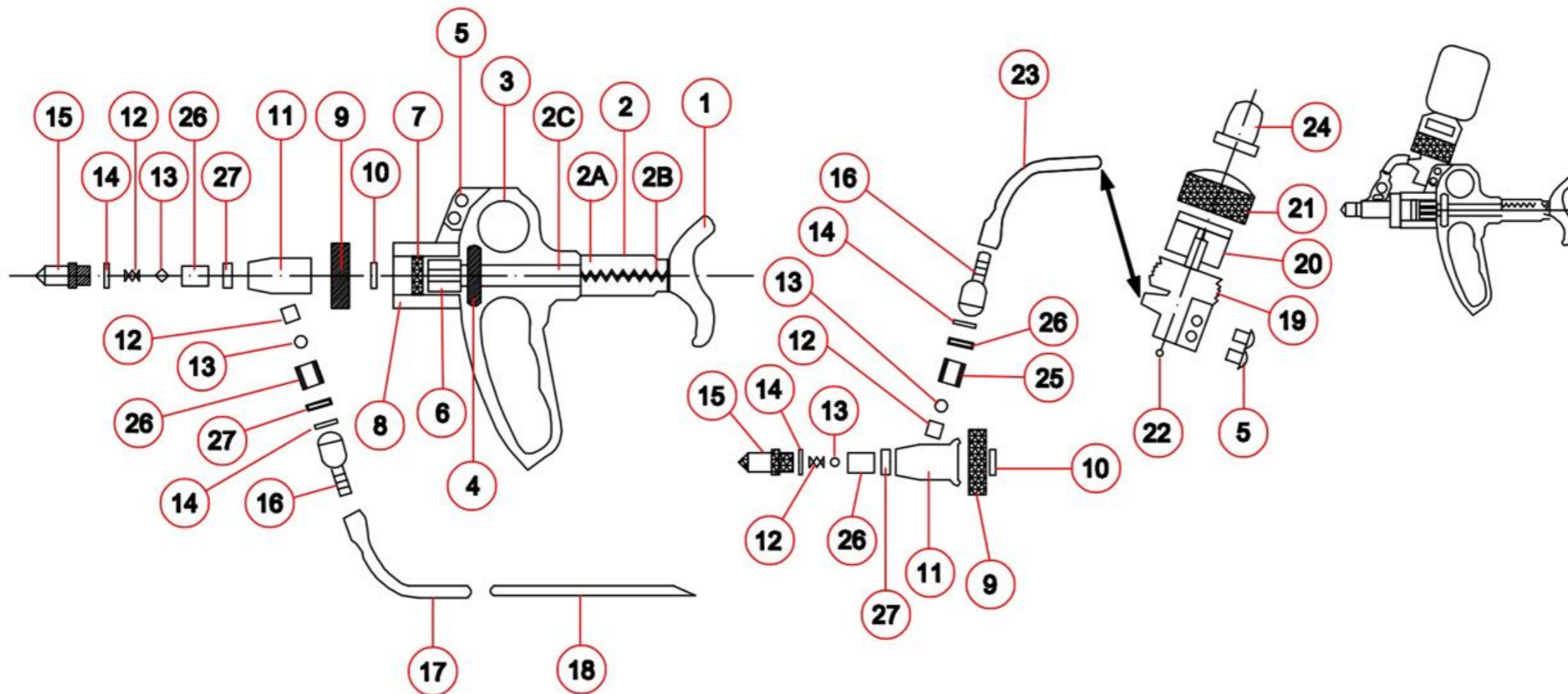


[Cod. ECR0016] - 2 pieces cone



[Cod. ECR0003] - Bushing

Automatic syringe 0,5 ml - 1 ml - 2 ml



COMPONENTS

- | | |
|-----------------------------|---------------------|
| 1 - Handle | 9 - Valve locking |
| 2 - Cover spring | 10 - Barrel seal |
| 2A - Tige/P piston | 11 - Nozzle |
| 2B - Back piston spring | 12 - Valve spring |
| 2C - Tube dosing regulation | 13 - Valve ball |
| 3 - Syringue body | 14 - O' ring |
| 4 - Dosing wheel | 15 - Luer lock |
| 5 - Vial holder hook | 16 - Tube connector |
| 6 - Piston | 17 - Tube |
| 7 - Piston o'ring | 18 - Suction needle |
| 8 - Barrel | 19 - Vial holder |

ACCESSORIES

- 0809 - Vial holder
- 0820 - Holding kit (small - large)
- 0820 - Disposable bottle bag
- 0811 - Spare parts kit
- 0812 - Lubricating oil
- 0821 - Draw off

Automatic syringe 0,5 ml - 1 ml - 2 ml



[Cod. 0541.2] 0,5 ml

[Cod. 0542.2] 1 ml

[Cod. 0543.2] 2 ml

COMPONENTS



[Cod. EX0108] 0,5 ml / 1 ml [Cod. EX0107] 2 ml - Fishing needle L200



[Cod. EA0042] 0,5 ml [Cod. EA0010] 1 ml / 2 ml - Rod



[Cod. ICA0005] - Dosed fillet tube

Automatic syringe 0,5 ml - 1 ml - 2 ml



[Cod. II0013] - Handle 0,5 ml / 1 ml / 2 ml



[Cod. IPOM004] - Knob



[Cod. EI0002] - Knob insert



[Cod. IG0057] - Dose adjustment ring 0,5 ml / 1 ml / 2 ml

Automatic syringe 0,5 ml - 1 ml - 2 ml



- [Cod. EP0033] 0,5 ml - Piston
- [Cod. EP0025] 1 ml - Piston
- [Cod. EP0024] 2 ml - Piston



- [Cod. EOR0062] 0,5 ml - Two pieces piston seal
- [Cod. EOR0058] 1 ml - Two pieces piston seal

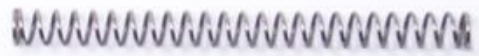


- [Cod. EOR0014] 2 ml - Seal



- [Cod. EOR0061] 2 ml - Seal

Automatic syringe 0,5 ml - 1 ml - 2 ml



[Cod. EM0001] - Piston return spring 0,5 ml / 1 ml / 2 ml



[Cod. IX0006] - Cap 0,5 ml / 1 ml / 2 ml



[Cod. IX0047] - Fixing 0,5 ml / 1 ml / 2 ml



[Cod. EX0086] - Rubber bottle holder cap 0,5 ml / 1 ml / 2 ml



[Cod. IC0071] 0,5 ml [Cod. IC0084] 1 ml [Cod. IC0039] 2 ml - Cylinder

Automatic syringe 0,5 ml - 1 ml - 2 ml



[Cod. EX0122] - Bottle passage tube 0,5 ml / 1 ml / 2 ml



[Cod. IX0019] - Bottle holder ring 0,5 ml / 1 ml / 2 ml



[Cod. IX0048] - Needle cover cap 0,5 ml / 1 ml / 2 ml



[Cod. IX0031] - Bottle stop washer 0,5 ml / 1 ml / 2 ml

Automatic syringe 0,5 ml - 1 ml - 2 ml



[Cod. EX0061] - Screw 0,5 ml / 1 ml / 2 ml



[Cod. EX0012] - Oil bottle 0,5 ml / 1 ml / 2 ml



[Cod. IX0064] - Bottle holder connection 0,5 ml / 1 ml / 2 ml



[Cod. EX0010] 0,5 ml / 1 ml [Cod. EX0004] 2 ml - Product feeding tube

Automatic syringe 0,5 ml - 1 ml - 2 ml



[Cod. EX0312] - Needle filter 0,5 ml / 1 ml / 2 ml



[Cod. EX0141] - Two way perforator 0,5 ml / 1 ml / 2 ml

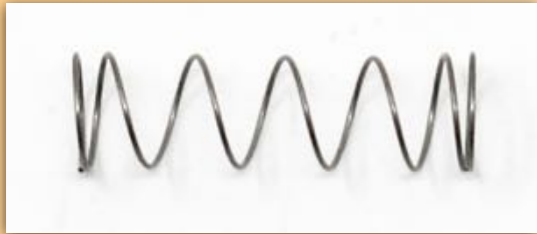


[Cod. EOR011] - Cylinder seal 0,5 ml / 1 ml / 2 ml



[Cod. ECR0063] - Pipe fitting with seal Cod. EOR0014 0,5 ml / 1 ml / 2 ml

Automatic syringe 0,5 ml - 1 ml - 2 ml



[Cod. EM0003] - Valve spring 0,5 ml / 1 ml / 2 ml



[Cod. ECR0062] - Bushing 0,5 ml / 1 ml / 2 ml



[Cod. IG0051] - Valve fixing ring nut 0,5 ml / 1 ml / 2 ml



[Cod. EX0089] - Ball 0,5 ml / 1 ml / 2 ml

Automatic syringe 0,5 ml - 1 ml - 2 ml



[Cod. EV0017] - Valve body 0,5 ml / 1 ml / 2 ml

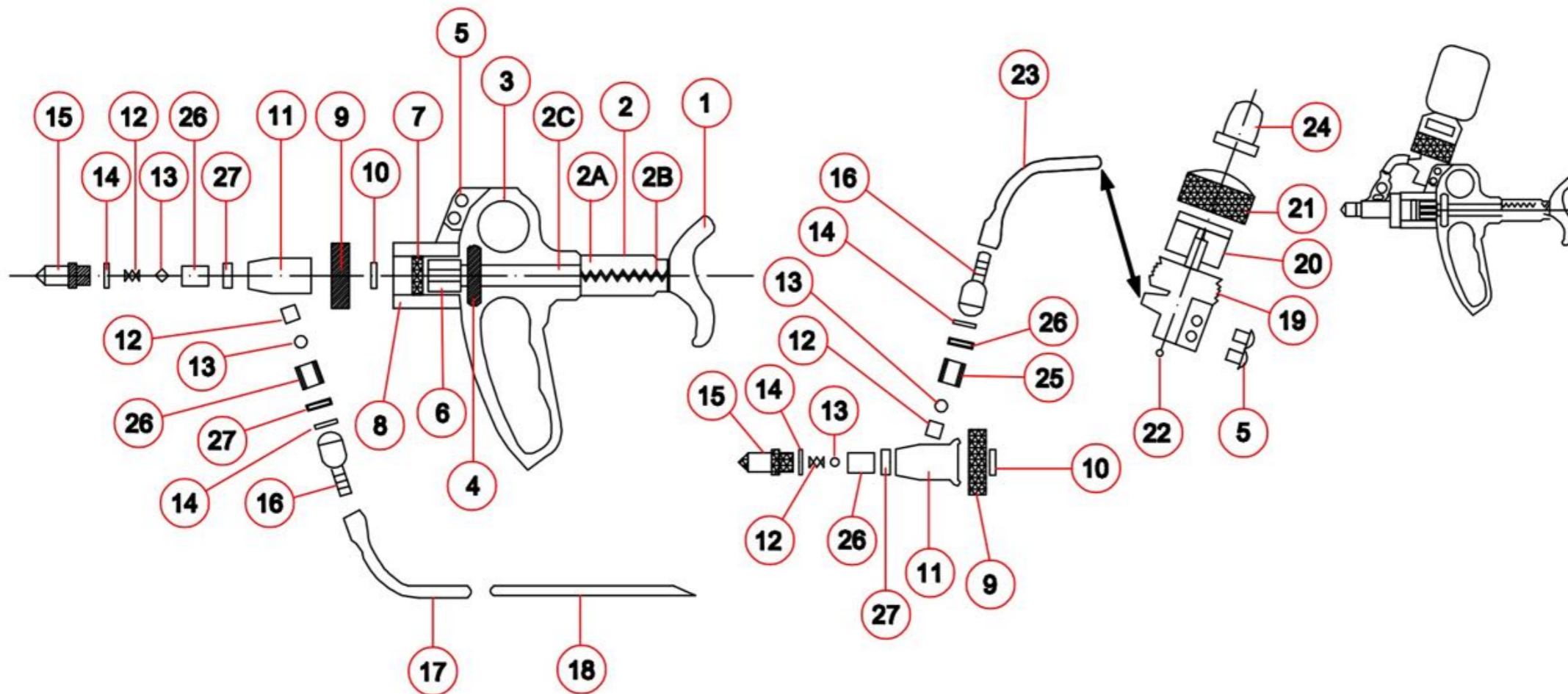


[Cod. ECR0037] - Cone luer lock with seal Cod. EOR0014 0,5 ml / 1 ml / 2 ml



[Cod. ECR0003] - Bushing 0,5 ml / 1 ml / 2 ml

Automatic syringe 5 ml - 10 ml



COMPONENTS

- | | |
|-----------------------------|---------------------|
| 1 - Handle | 9 - Valve locking |
| 2 - Cover spring | 10 - Barrel seal |
| 2A - Tige/P piston | 11 - Nozzle |
| 2B - Back piston spring | 12 - Valve spring |
| 2C - Tube dosing regulation | 13 - Valve ball |
| 3 - Syringue body | 14 - O' ring |
| 4 - Dosing wheel | 15 - Luer lock |
| 5 - Vial holder hook | 16 - Tube connector |
| 6 - Piston | 17 - Tube |
| 7 - Piston o'ring | 18 - Suction needle |
| 8 - Barrel | 19 - Vial holder |

ACCESSORIES

- | | |
|-----------------------|------------------------------------|
| 20 - Grip | 0809 - Vial holder |
| 21 - Bottle lock | 0820 - Holding kit (small - large) |
| 22 - Air valve | 0820 - Disposable bottle bag |
| 23 - Tube vial holder | 0811 - Spare parts kit |
| 24 - Protection cap | 0812 - Lubricating oil |
| 25 - Metal barrel | 0821 - Draw off |
| 26 - O' ring COD2010 | |

Automatic syringe 5 ml - 10 ml



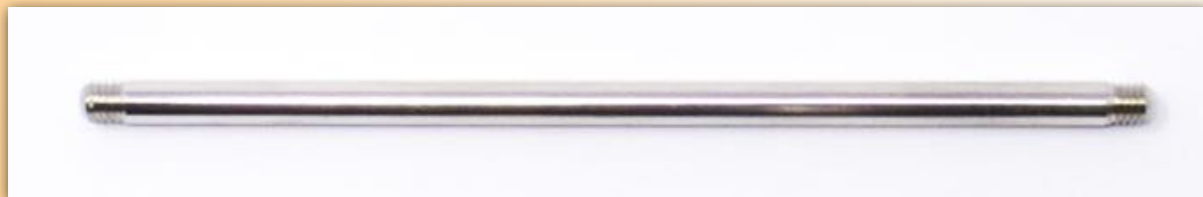
[Cod. 0544.2] 5 ml

[Cod. 0545.2] 10 ml

COMPONENTS



[Cod. EX0107] - Fishing needle L200 5 ml / 10 ml



[Cod. EA0010] - Rod 5 ml / 10 ml



[Cod. ICA0001] - Dosed fillet tube 5 ml / 10 ml

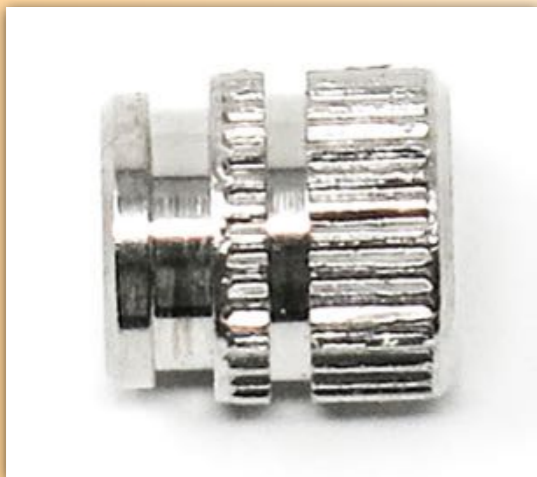
Automatic syringe 5 ml - 10 ml



[Cod. II0014] 5 ml [Cod. II0015] 10 ml - Handle



[Cod. IPOM004] - Knob 5 ml / 10 ml



[Cod. EI0002] - Knob insert 5 ml / 10 ml

Automatic syringe 5 ml - 10 ml



[Cod. IG0058] - Dose adjustment ring 5 ml / 10 ml



[Cod. EP0021] 5 ml [Cod. EP0022] 10 ml - Piston



[Cod. EOR0005] 10 ml - Two seal



[Cod. EOR0072] 5 ml - Two seal

Automatic syringe 5 ml - 10 ml



[Cod. EM0002] - Piston return spring 5 ml / 10 ml



[Cod. IX0006] - Cap 5 ml / 10 ml



[Cod. IX0047] - Fixing 5 ml / 10 ml



[Cod. EX0086] - Rubber bottle holder cap 5 ml / 10 ml



[Cod. IC0040 5 ml - IC0041 10 ml] - Cylinder

Automatic syringe 5 ml - 10 ml



[Cod. EX0122] - Bottle passage tube 5 ml / 10 ml



[Cod. IX0019] - Bottle holder ring 5 ml / 10 ml



[Cod. IX0048] - Needle cover cap 5 ml / 10 ml

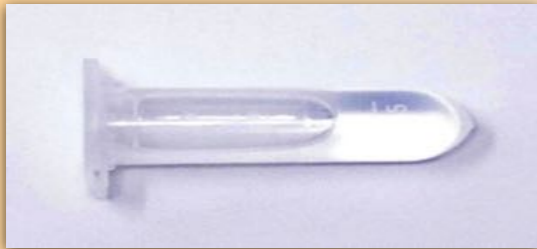


[Cod. IX0031] - Bottle stop washer 5 ml / 10 ml

Automatic syringe 5 ml - 10 ml



[Cod. EX0061] - Screw 5 ml / 10 ml



[Cod. EX0012] - Oil bottle 5 ml / 10 ml



[Cod. IX0064] - Bottle holder connection 5 ml / 10 ml



[Cod. EX0594] - Product feeding tube 5 ml / 10 ml

Automatic syringe 5 ml - 10 ml



[Cod. EX0312] - Needle filter 5 ml / 10 ml



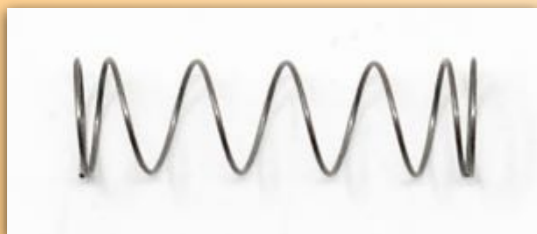
[Cod. EX0141] - Two way perforator 5 ml / 10 ml



[Cod. EOR011] - Cylinder seal 5 ml / 10 ml

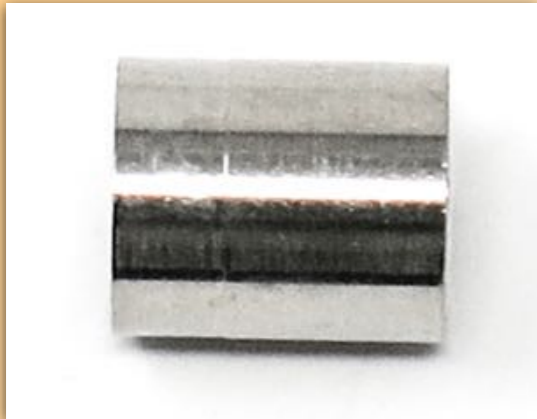


[Cod. ECR0063] - Pipe fitting with seal Cod. EOR0014 5 ml / 10 ml



[Cod. EM0003] - Valve spring 5 ml / 10 ml

Automatic syringe 5 ml - 10 ml



[Cod. ECR0062] - Bushing 5 ml / 10 ml



[Cod. IG0050 - 5 ml / IG0052 - 10 ml] - Valve fixing ring nut



[Cod. EX0089] - Ball 5 ml / 10 ml

Automatic syringe 5 ml - 10 ml



[Cod. EV0017] - Valve body 5 ml / 10 ml



[Cod. ECR0037] - Cone luer lock with seal Cod. EOR0014 5 ml / 10 ml



[Cod. ECR0003] - Bushing 5 ml / 10 ml

Flexible tube



[Cod. 0803]

COMPONENTS



[Cod. EX0111] - Silicone tube



[Cod. ECR0008] - Cone luer lock with rubber holder

Flexible tube



[Cod. EX0115] - Junction 6x1 threaded M6



[Cod. EX0334] - Junction LL for cannula



[Cod. ECR0003] - Cone bushing LL



[Cod. 0353F] - Flexa D light female