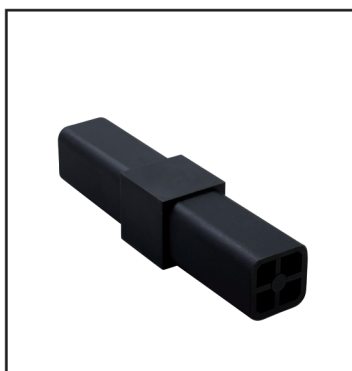
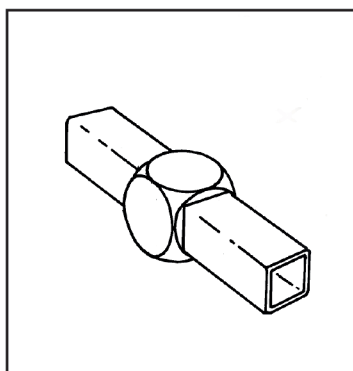




## GIUNTI PER STRUTTURE MODULARI

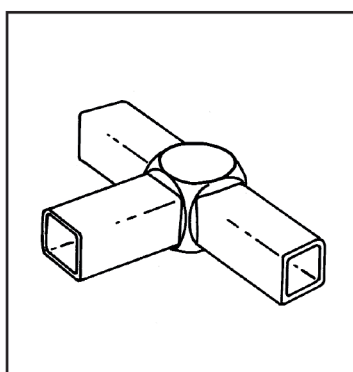
MODULAR STRUCTURES JOINTS - JOINTS POUR STRUCTURES MODULAIRES



### Q - 2VL/15

Giunto a 2 vie in linea  
2 Leveled connections joint  
Joint a 2 voies, en ligne

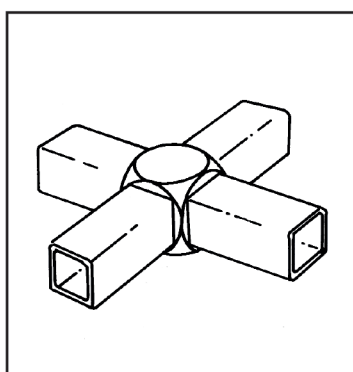
mod.	mm
6715	22 x 22



### Q - 3VL/126

Giunto a "T" in linea  
"T" shaped leveled joint  
Joint a "T" en ligne

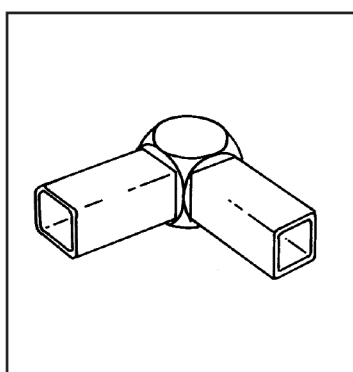
mod.	mm
6717	22 x 22
6742	26 x 26



### Q - 4VL/1256

Giunto a doppia "T" in linea  
Double "T" shaped leveled joint  
Joint a double "T" en ligne

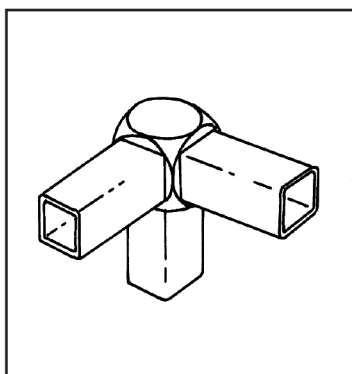
mod.	mm
6719	22 x 22
6744	26 x 26



### Q - 2VA/12

Giunto a 2 vie a "L"  
2 Connections "L" shaped joint  
Joint a 2 voies, a "L"

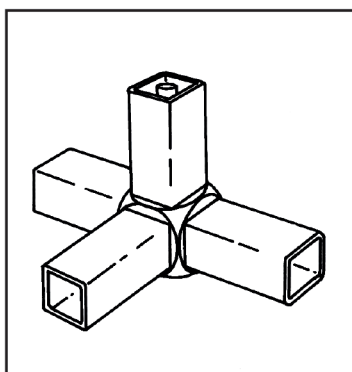
mod.	mm
6716	22 x 22
6741	26 x 26



### Q - 3VA/123

Giunto a 3 vie ad angolo  
3 Connections corner joint  
Joint a 3 voies, a angle

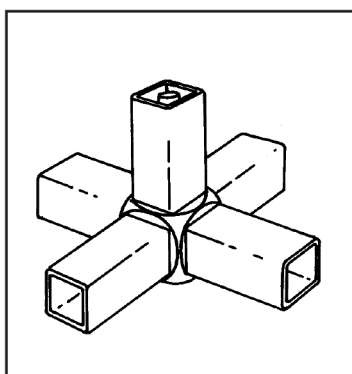
mod.	mm
6718	22 x 22
6743	26 x 26



### Q - 4VA/1245

Giunto a 4 vie ad angolo  
4 Connections corner joint  
Joint a 4 voies, a angle

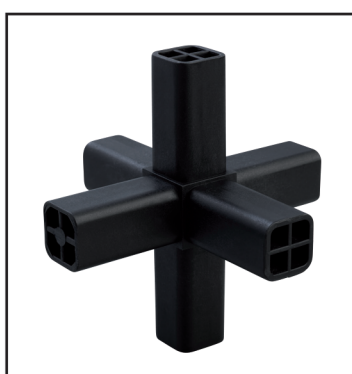
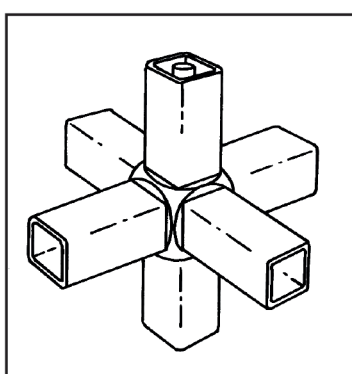
mod.	mm
6720	22 x 22
6745	26 x 26



### Q - 5VA/12456

Giunto a 5 vie ad angolo  
5 Connections corner joint  
Joint a 5 voies, a angle

mod.	mm
6721	22 x 22
6746	26 x 26



### Q - 6VA/123456

Giunto a 6 vie ad angolo  
6Connections corner joint  
Joint a 6 voies, a angle

mod.	mm
6722	22 x 22
6747	26 x 26



Via Manzotti - 42122 Roncadella (RE) - Italy  
Tel. +39 0522 340757 / 340190  
Fax +39 0522 345102  
e-mail: info@astrosrl.org  
[www.astrosrl.org](http://www.astrosrl.org)